

ORBRY MANUAL THERMOSTAT

The Orbry Manual Thermostat has an on/off switch and temperature control dial and comes complete with a floor sensor.



ULTIMATE UNDERFLOOR HEATING CONTROL

The Orbry Manual Thermostat is a simple, efficient underfloor heating controller. It can be used to manually regulate the temperature of your underfloor heating with ease making it suitable for use.

ENHANCE EVERY PROJECT

Enhance your project with Orbry premium quality electric underfloor heating. The Orbry experience guarantees a hassle free installation and ultimate comfort.

WHAT IS PROVIDED?

- Orbry Manual Thermostat (OBUHMAN)
- Fixing Plate
- Fixing Screws
- Sensor Probe
- Installation Guide

- ✓ Simple On/Off control with indicator LED
- ✓ Floor temperature probe included
- ✓ Fits on a standard width electrical back box

- ✓ Manual temperature limit feature
- ✓ Easy to use temperature dial
- ✓ Can control up to 16A UFH systems

THERMOSTAT LOCATION

The thermostat should ideally be located within the room to be heated, subject to current electrical regulations relating to bathrooms and wet areas. As the thermostat is floor sensing it can be installed outside the room or in a cupboard if necessary.

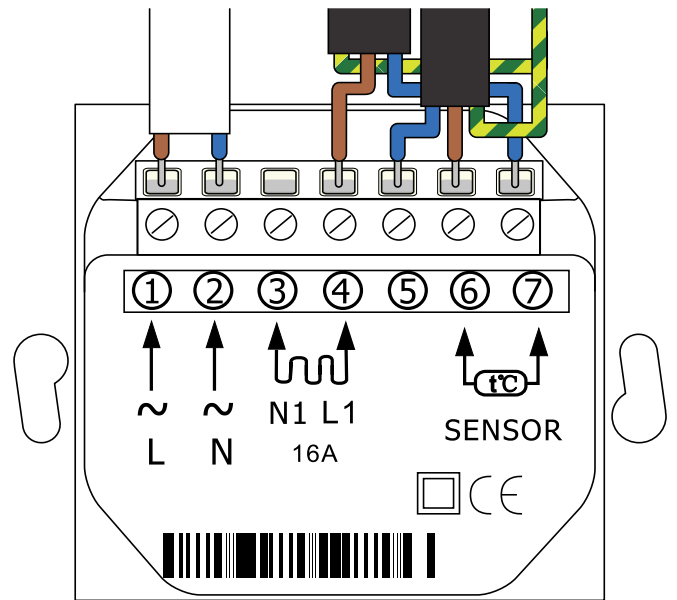
For easy operation, choose a location about 1.2m above the floor. Should a remote location for the thermostat be necessary the system wiring can be extended up to 50m from the installation. Suitable extension wire is available from Orbry if required.

MAXIMUM LOAD

The Orbry Manual Thermostat can control underfloor heating systems of up to 16 AMPS or 3600W

LARGE AREAS OVER 16A

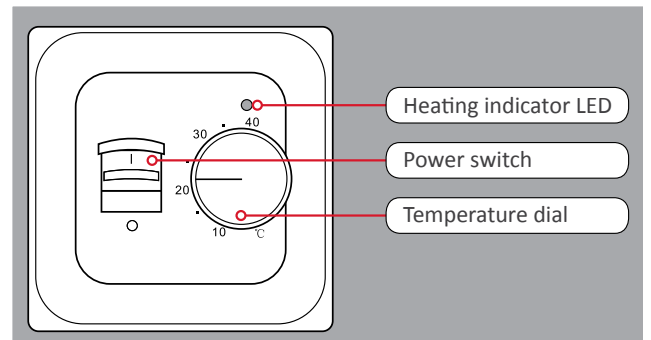
For areas exceeding 16 AMPS that require control by a single thermostat, a snubber/contractor must be used. Snubbers/contractors are available on request.



SIMPLE WIRING DIAGRAM

TECHNICAL DATA

Sensor Mode	Floor
Voltage	230V 50/60Hz
Max Load	16A 3600W
Setting Range	4 - 40°C
Storage Temp	-5 - 50°C
Protection	IP20
Height	86mm
Width	86mm
Depth	22mm
Sensor Length	3m



MANUAL CONTROLS FOR EASY OPERATION

The Orbry Manual Thermostat is very easy to use. You simply switch it on or off with the Power Switch as and when you would like your underfloor heating system to function. Set the desired temperature with the dial and the Orbry Manual Thermostat will maintain it.

Don't forget to activate your warranty within 60 days of purchase.

Visit orbry.com/warranty