

## ORBRY TOUCH THERMOSTAT DATA SHEET

### INCREASE EFFICIENCY WITH 7 DAY, 6 EVENT PROGRAMMING

#### PRODUCT FEATURES

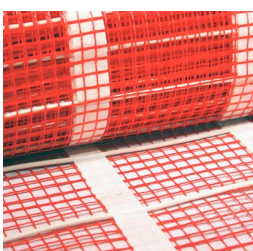
- ✓ TOUCH SCREEN CONTROL
- ✓ LED BACKLIT DISPLAY
- ✓ 7 DAY, 6 EVENT PROGRAM
- ✓ COMFORT AND SETBACK MODES
- ✓ FLOOR SENSOR INCLUDED



Don't forget to activate your warranty within 60 days of purchase. Visit [orbry.com/warranty](http://orbry.com/warranty).

#### ORBRY TOUCH THERMOSTAT SPECIFICATIONS

Power Consumption	2W
Setting Range	5...90°C (upper limitation from 35°C - 90°C adjustable)
Limitation Range	5...60°C (factory setting 35°C)
Switching Differential	0.5 - 10°C adjustable, factory setting +/- 1°C
Ambient Temperature	-5°C - 50°C
Protective Housing	IP32
Housing Material	Anti-flammable PVC
Warranty	3 Years



**ORBRY  
UNDERFLOOR  
HEATING MAT**

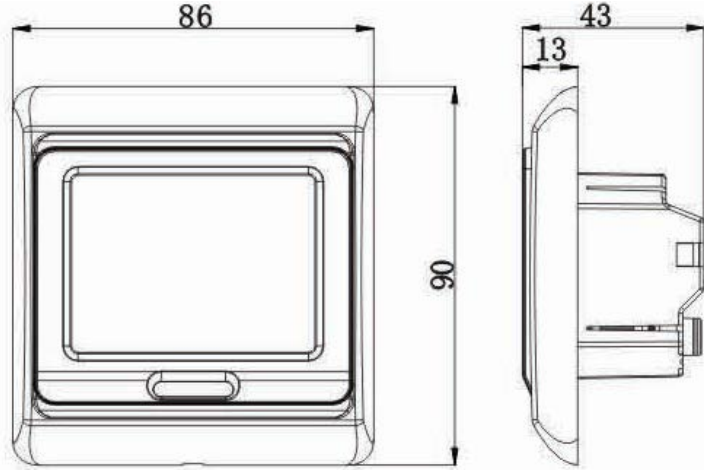
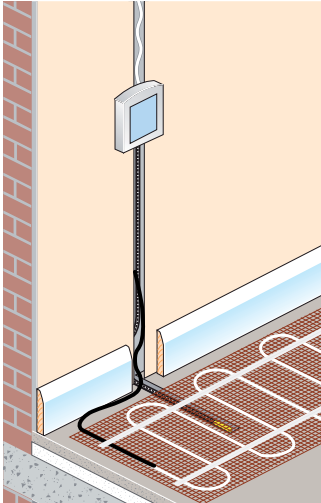


#### INSULATION BOARD

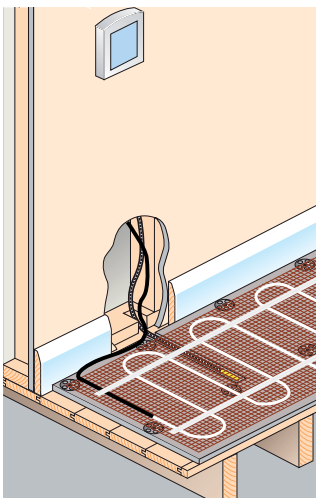
Orbry Boards provide a de-coupling and thermal insulation layer for your underfloor heating system to improve the efficiency and warm up time.

STOCK NO.	VOLTAGE (V)	HEIGHT (mm)	WIDTH (mm)	DEPTH (to wall) (mm)	MAX LOAD (A)
OBUHTOUCH	230	90	86	43 (19)	16

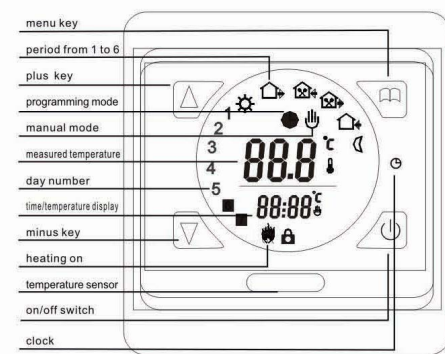
**Dry wall/brick/concrete substrate    Dimensions (mm)**



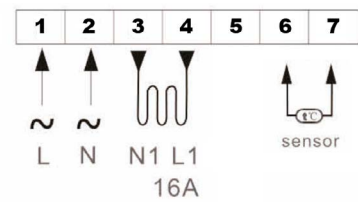
**Cavity wall & timber substrate**



**Function & Display Explanation**



**System Wiring Diagram**



**Don't forget to activate your warranty within 60 days of purchase.  
Visit [orbry.com/warranty](http://orbry.com/warranty)**